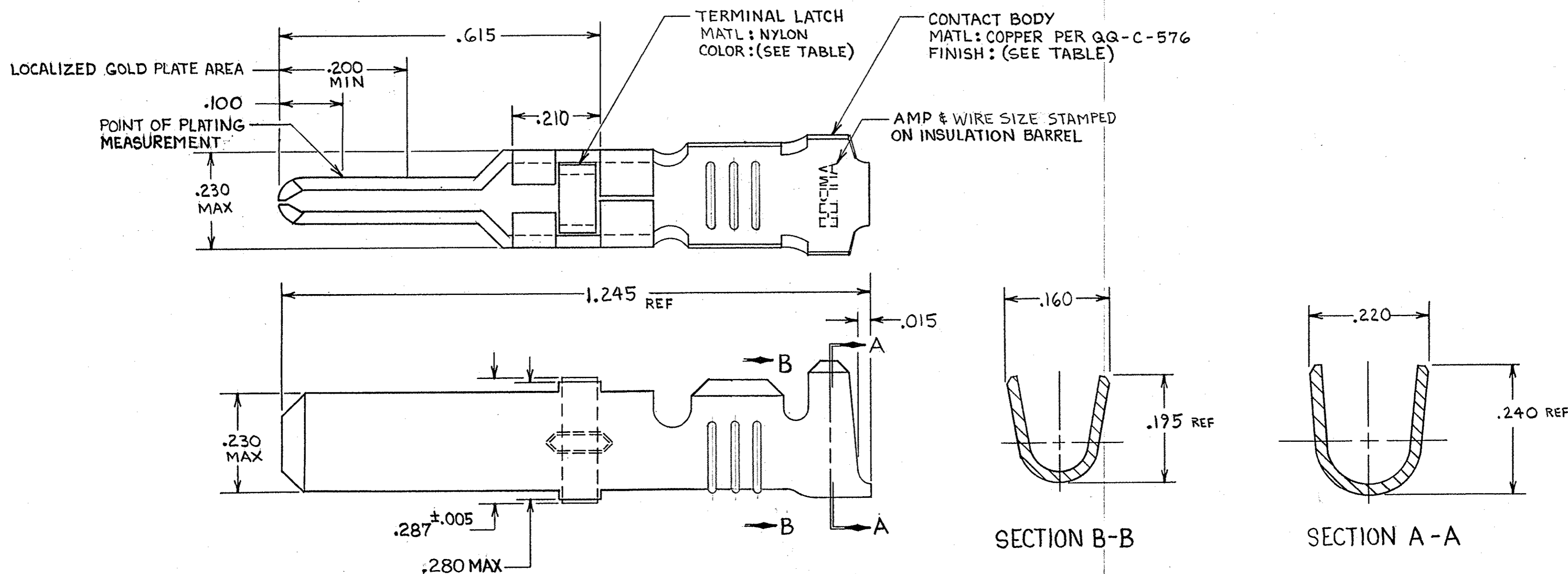


THIS DRAWING IS UNPUBLISHED. RELEASED FOR PUBLICATION

© COPYRIGHT BY

| REVISIONS |   |      |     |                           |         |          |
|-----------|---|------|-----|---------------------------|---------|----------|
| P         | F | ZONE | LTR | DESCRIPTION               | DATE    | APPROVED |
|           |   |      | Y1  | REVISED PER ECO-11-005294 | 07APR11 | HMR      |



- 1. REELED FOR USE WITH STANDARD APPLICATORS.
- 2. REELED FOR USE WITH HEAVY DUTY MINI-APPLICATORS.
- 3. PLATED WITH .000100 MIN SILVER PER QQ-S-365.
- 4. PLATED WITH .000015 MIN GOLD PER MIL-G-45204 IN THE LOCALIZED GOLD PLATE AREA, GOLD FLASH ON THE REMAINDER, OVER .000030 MIN NICKEL PER QQ-N-290.
- 5. PLATED WITH .000030 MIN GOLD PER MIL-G-45204 IN THE LOCALIZED GOLD PLATE AREA, GOLD FLASH ON THE REMAINDER, OVER .000030 MIN NICKEL PER QQ-N-290.
- 6. PLATED WITH .000050 MIN 93-7% TIN-LEAD ALLOY OVER .000030 MIN NICKEL PER QQ-N-290.
- 7. WIRE RANGE = 12-16 AWG.
- 8. INSULATION RANGE = .140-.165 DIA.
- 9. PLATED TIN (NO LEAD) .000050 MIN THK PER ASTM-B-545 OVER NICKEL .000050 MIN THK PER QQ-N-290.

| TERMINAL LATCH COLOR | FINISH | STRIP ASS'Y P/N REF | STRIP ASS'Y P/N REF | LOOSE PIECE P/N ASS'Y |
|----------------------|--------|---------------------|---------------------|-----------------------|
| BLACK                | 3      | 1-66255-2           | 1-66255-1           | 66261-5               |
| NATURAL              | 3      | 66255-8             | 66255-7             | 66261-4               |
| BLACK                | 4      | 66255-4             | 66255-2             | 66261-3               |
| BLACK                | 5      | 66255-6             | 66255-2             | 66261-2               |
| BLACK                | 6      | 66255-5             | 66255-1             | 66261-1               |

|  |             |   |  |  |
|--|-------------|---|--|--|
| UNLESS OTHERWISE SPECIFIED DIMENSIONS ARE IN INCHES.<br>TOLERANCES ON:<br>DECIMALS ±.010<br>ANGLES ± | CONTRACT NO |   | TE Connectivity                            |  |
|  | MATERIAL    | DR. <i>Rick Redbaugh</i> 9-27-85<br>CHK. <i>Larry G. Lawner</i> 10-1-85<br>APPD. <i>B. D. Boland</i> 10-1-85<br>APPD. <i>Kenis E. Smith</i> 10-3-85 |  |  |
| SEE CALLOUT  | FINISH      |   | NAME                                       |  |
| SEE DASH NO  | OTHER APPD  |   | MALE TYPE XII CONTACT<br>LOOSE PIECE ASS'Y |  |
| SIZE   |             | FSCM NO   | DRAWING NO                                 |  |
| C  |             | 00779   | 66261                                      |  |
| SCALE  |             | SHEET   |  |  |
| NTS  |             |   |  |  |